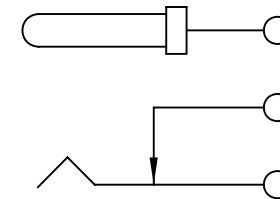
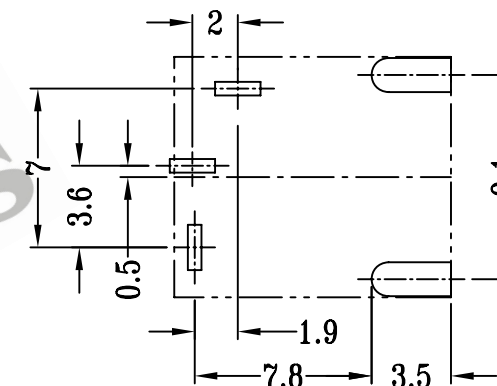
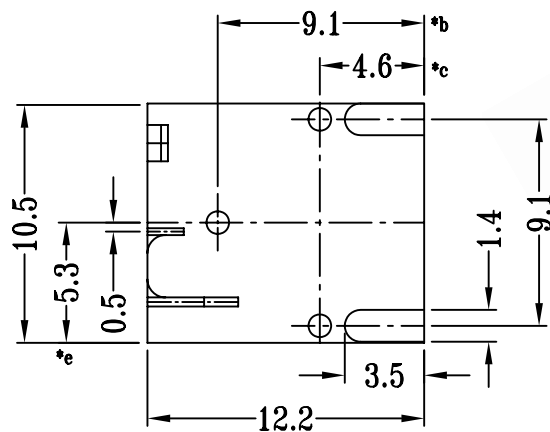
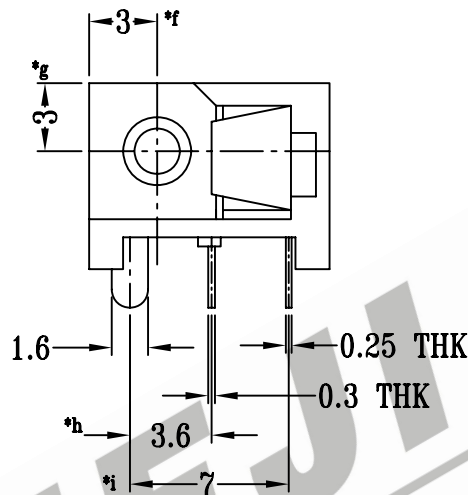
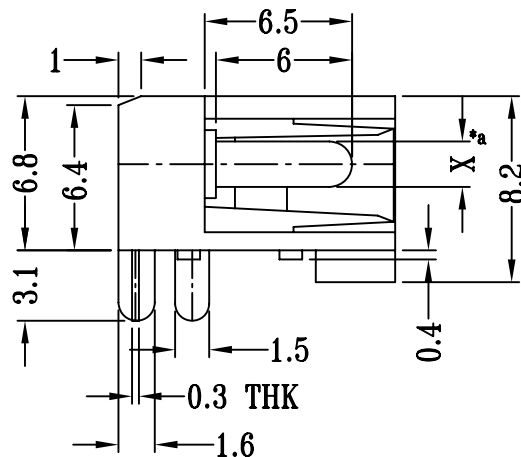


CAD FILE:



SCHEMATIC



P.C.B LAYOUT

DIA. OF PIN'X'A=2.5mm
DIA. OF PIN'X'B=2.0mm
DIA. OF PIN'X'C=2.35mm

注:带"*"表示关键尺寸(9个)

8					TOLERANCE UNLESS SPECIFIED	SHENZHEN XIEJIA ELECTRONICS CO.,LTD.					
7											
6					WITHIN: 1.5±0.1mm OVER : 1.5±0.2mm	ISSUE	DATE	DESCRIPTIONS OF REVISION		APPD.	
5	TERMINAL	BRASS STRIP	1	Ag PLATED OVER Ni PLATED							
4	CASE	PC	1	BLACK	TITLE : DC POWER JACK	UNIT : mm	DRWG NO.: XJ-DR-DS306-00				
3	SPRING TERMINAL	STAINLESS STEEL	1	Ag PLATED OVER Ni PLATED							
2	PLUG PIN	BRASS	1	Ni PLATED	MODEL: DS-306	SCALE: 3:1	CHK'D	ZHOUYU	2002-9-14		
1	CONTACT	BRASS STRIP	1	Ag PLATED OVER Ni PLATED			APPD.	KANGXINAN	2002-9-14		
NO.	PARTS	MATERIALS	Q'TY	FINISH	ALL MATERIALS MUST BE COMPLIANT TO ROHS				APPD.	KANGXINAN	2002-9-14